



Security Receding Door Container Class B and C Lock

Planex Class B and C Lock Security Receding Door Containers are SCEC approved.

Receding door containers in various heights manufactured to meet the requirements of the Security Construction and Equipment Committee (SCEC), which is the standing interdepartmental committee responsible for the evaluation of security equipment used by Australian Government departments and agencies. Available in 4 heights and 1 width.

Manufacturer	Planex Sales Pty Ltd
Location	Hallam, Melbourne
Lead Time	Four weeks from order (ex-works)
Standard Warranty	Ten years

Security Receding Door Dimensions

Code (Class B S&G Lock)	Height	Width	Depth	kg
27-DO2RBS-1050-1050	1055	1045	560	91
27-DO2RBS-1200-1050	1200	1045	560	98
27-DO2RBS-1600-1050	1600	1045	560	132
27-DO2RBS-1980-0900	1980	900	560	145
Code (Class B Kaba Lock)	Height	Width	Depth	kg
27-DO2RBK-1050-1050	1055	1045	560	91
27-DO2RBK-1200-1050	1200	1045	560	98
27-DO2RBK-1600-1050	1600	1045	560	132
27-DO2RBK-1980-0900	1980	900	560	145
Code (Class C Bilock™)	Height	Width	Depth	kg
27-DO2R-1050-1050	1055	1045	560	86
27-DO2R-1200-1050	1200	1045	560	91
27-DO2R-1600-1050	1600	1045	560	121
27-DO2R-1980-0900	1980	900	560	145

* Depth is 506mm deep at floor and 560mm deep including handle

Materials

- Welded body made of 100% recyclable BlueScope steel (with up to 20% recycled content)

Colours/Finishes

- Standard ripple powder coats available in 19 colours/finishes

Product Features

- Class B fitted with a Kaba X-10™ lock or S&G 2740a Lock
- Class C fitted with Australian Lock Company BiLock™

Accessories Ordered Separately

- Adjustable shelves
- Shelf dividers
- Pull-out reference shelves
- Pull-out file frames (for drawer files)
- Rails to hold L'Oblique TUB folders (hook folders)
- Shelf wire rack for lateral shelf files (wrap around and square)
- Modular drawers for miscellaneous items
- Modular drawer compactor
- Modular drawer slotted partition
- Modular drawer plain partition

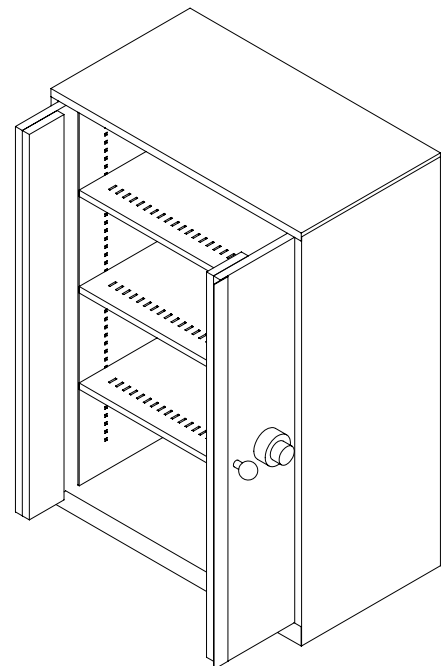
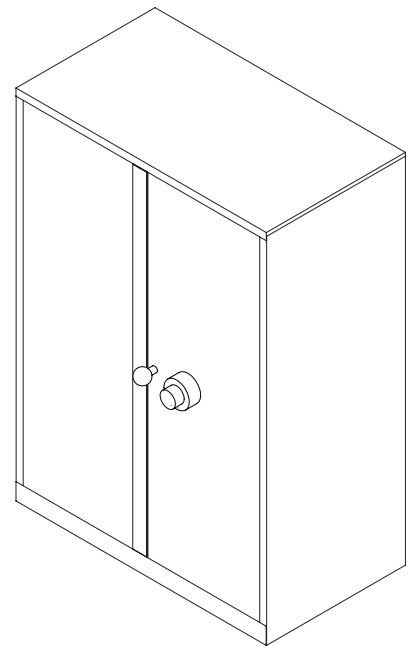
Manufacturing

- Made in Melbourne, Australia using locally sourced materials
- Manufactured for disassembly
- Polymer parts labelled for segregation and sorting
- Iron phosphate pre-treatment AS2331.3.1-2001 Method 3.1
- Planex factory uses a 100Kw roof mounted solar array to provide up to 25% of manufacturing electricity needs

Environmental Certification

- Green Star compliant
- Production facility certified ISO14001 and ISO9001
- VOC compliant materials

Designed by Planex



Security Receding Door Accessories

Adjustable Shelf	Height	Width	Depth	Size
22-SHU-1050	25	755	450	1045
22-SHU-0900 (1980H Only)	25	755	450	900

Shelf Divider	Height	Width	Depth	Size
22-SHU-DIV	150	1	410	all

Pull-Out File Frame e/w	Height	Width	Depth	Size
22-SF-EW390-1050	127	688	420	1045
22-SF-EW390-0900 (1980H Only)	127	688	420	1045

Pull-Out File Frame n/s	Height	Width	Depth	Size
22-SF-NS390-1050	127	688	420	1045

Pull-Out Shelf	Height	Width	Depth	Size
22-SHPO-1050	20	690	450	1045
22-SHPO-0900 (1980H Only)	20	690	450	900

Modular Drawer	Height	Width	Depth	Size
22-DRM-BM-0900 (4 rows)	127	683	420	n/a
22-DRM-BM-1050 (5 rows)	127	828	420	n/a
22-DRM-BM-1200 (6 rows)	127	983	420	n/a

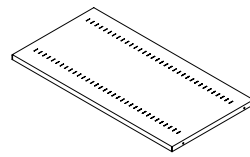
Modular Slotted Partition	Height	Width	Depth	Size
22-DRM-PS	100	15	378	all

Modular Compactor for CDs	Height	Width	Depth	Size
22-DRM-C9	125	135	1	all

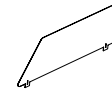
Modular Plain Partition	Height	Width	Depth	Size
22-DRM-PP	100	1	378	all

Wrap Around Toast Rack	Height	Width	Depth	Size
26-RACK-0900	200	735	400	1045

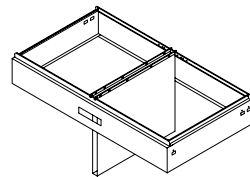
Square Toast Rack	Height	Width	Depth	Size
26-RACK-0900SQ	210	735	300	1045



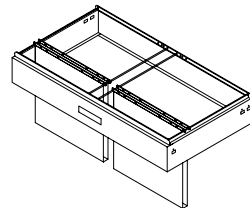
Adjustable Shelf



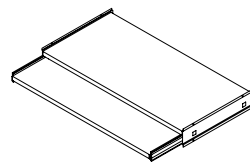
Shelf Divider



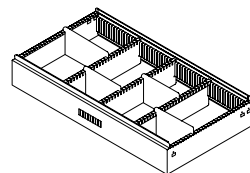
Pull-Out File Frame e/w



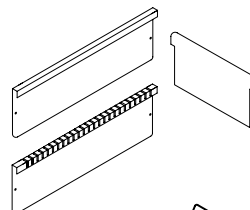
Pull-Out File Frame n/s



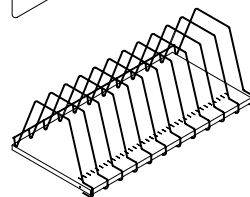
Pull-Out Shelf



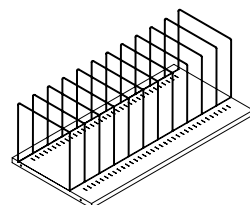
Modular Drawer



Modular Drawer Accessories



Wrap Around Toast Rack



Square Toast Rack

Copyright Planex 2017
Information in this document may be
subject to change without notification

Head Office / Manufacturing

191 Princes Highway, Hallam
VIC Australia 3803
PO Box 125 Hallam 3803
Tel: +61 3 8795 1100
Fax: +61 3 8795 1122
Email Head Office: info@planex.com.au

Sydney Showroom

(Mon - Fri, 9am - 5pm by appointment only)
Studio 4, Level 2
18-20 Victoria Street, Erskineville
NSW 2043
Tel: +61 2 9517 2411
Fax: +61 2 9517 2544
Email Sydney: info@planex.com.au

Adelaide Showroom

(Mon - Fri, 9am - 5pm by appointment only)
238 Grenfell Street, Adelaide
SA 5000
Tel: +61 3 8795 1100
Email Adelaide: info@planex.com.au

Perth

The Design Collective
7 Queen Street, Western Australia
WA 6000
Tel: +61 8 9322 7780
Mob: 0415 441 422
Email Perth: info@planex.com.au

Brisbane

Tel: 1800 802 561
Email Brisbane: info@planex.com.au

Tasmania

Tel: 1800 802 561
Email Tasmania: info@planex.com.au

ACT

Tel: 1800 802 561
Email ACT: info@planex.com.au