



# Security Swing Door Container

## Class B and C Lock

Planex Class B and C Lock Security Swing Door Containers are SCEC approved.

Swing door containers in various heights manufactured to meet the requirements of the Security Construction and Equipment Committee (SCEC), which is the standing interdepartmental committee responsible for the evaluation of security equipment used by Australian Government departments and agencies. Available in 2 heights and 1 width.

Manufacturer	Planex Sales Pty Ltd
Location	Hallam, Melbourne
Lead Time	Four weeks from order (ex-works)
Standard Warranty	Ten years

**Security Swing Door Dimensions**

Code (Class B S&G Lock)	Height	Width	Depth	kg
27-D02BS-1350	1350	920	555	85
27-D02BS-1800	1840	920	555	130
Code (Class B Kaba Lock)	Height	Width	Depth	kg
27-D02BK-1350	1350	920	555	85
27-D02BK-1800	1840	920	555	130
Code (Class C Bilock™)	Height	Width	Depth	kg
27-D02-1350	1350	920	555	85
27-D02-1800	1840	920	555	125

\*Please note depth is 500mm deep at floor and 555mm deep including handle.

**Materials**

- Welded body made of 100% recyclable BlueScope steel (with up to 20% recycled content)

**Colours/Finishes**

- Standard ripple powder coats available in 19 colours/finishes

**Product Features**

- Class B fitted with a Kaba X-10™ lock or S&G 2740a Lock
- Class C fitted with Australian made BiLock™

**Accessories Ordered Separately**

- Adjustable shelves
- Shelf dividers
- Rails to hold L'Oblique TUB folders
- Shelf wire rack dividers for lateral shelf files (wrap around and square)

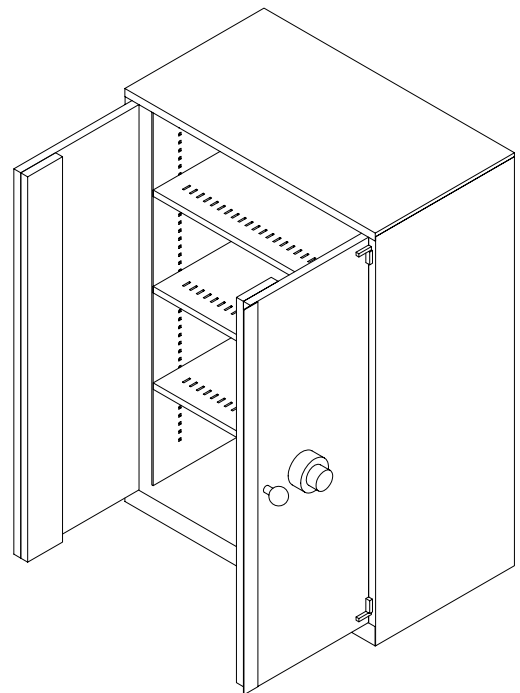
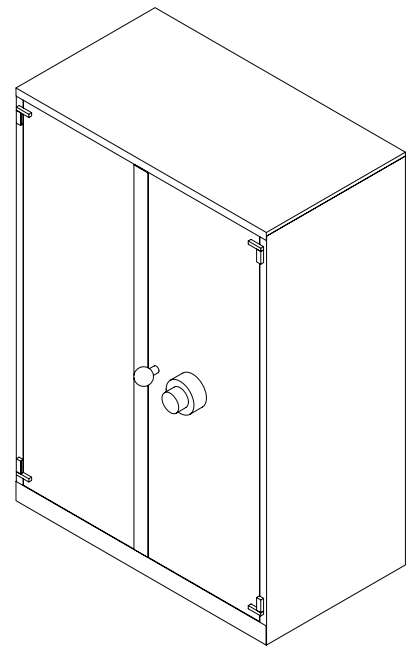
**Manufacturing**

- Made in Melbourne, Australia using locally sourced materials
- Manufactured for disassembly
- Polymer parts labelled for segregation and sorting
- Iron phosphate pre-treatment AS2331.3.1-2001 Method 3.1
- Planex factory uses a 100Kw roof mounted solar array to provide up to 25% of manufacturing electricity needs

**Environmental Certification**

- Green Star compliant
- Production facility certified ISO14001 and ISO9001
- VOC compliant materials

Designed by Planex



Security Swing Door Accessories

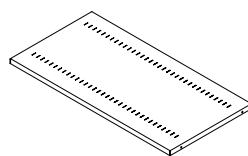
Adjustable Shelf	Height	Width	Depth
27-D02-SHU	25	755	410

Shelf Divider	Height	Width	Depth
27-D02-DIV	135	1	410

Wrap Around Toast Rack	Height	Width	Depth
26-RACK-880-DO2	200	735	400

Square Toast Rack	Height	Width	Depth
26-RACK-880SQ-DO2	210	735	300

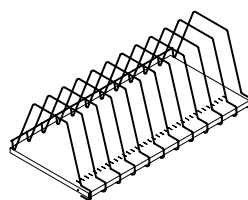
Lateral Rail Assembly	Height	Width	Depth
27-D02-FRAD2	n/a	n/a	n/a



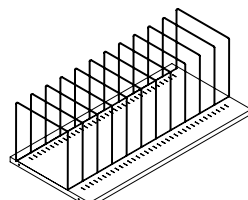
Adjustable Shelf



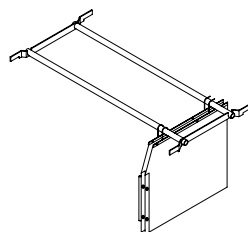
Shelf Divider



Square Toast Rack



Square Toast Rack



Lateral Rail Assembly

Copyright Planex 2017  
Information in this document may be  
subject to change without notification

**Head Office / Manufacturing**

191 Princes Highway, Hallam  
VIC Australia 3803  
PO Box 125 Hallam 3803  
Tel: +61 3 8795 1100  
Fax: +61 3 8795 1122  
Email Head Office: info@planex.com.au

**Sydney Showroom**

(Mon - Fri, 9am - 5pm by appointment only)  
Studio 4, Level 2  
18-20 Victoria Street, Erskineville  
NSW 2043  
Tel: +61 2 9517 2411  
Fax: +61 2 9517 2544  
Email Sydney: info@planex.com.au

**Adelaide Showroom**

(Mon - Fri, 9am - 5pm by appointment only)  
238 Grenfell Street, Adelaide  
SA 5000  
Tel: +61 3 8795 1100  
Email Adelaide: info@planex.com.au

**Perth**

The Design Collective  
7 Queen Street, Western Australia  
WA 6000  
Tel: +61 8 9322 7780  
Mob: 0415 441 422  
Email Perth: info@planex.com.au

**Brisbane**

Tel: 1800 802 561  
Email Brisbane: info@planex.com.au

**Tasmania**

Tel: 1800 802 561  
Email Tasmania: info@planex.com.au

**ACT**

Tel: 1800 802 561  
Email ACT: info@planex.com.au